

# EMC Filters for AC Power Line

## For Triple-phase, Large-size Box Cased ZACT-ME Series

Conformity to RoHS Directive

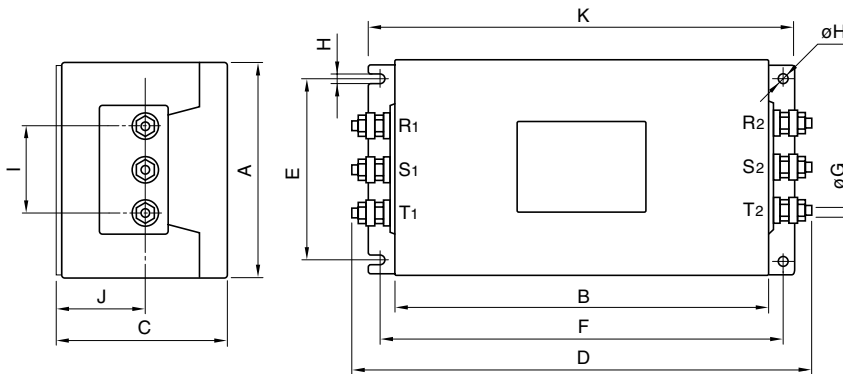
### FEATURES

- While reducing the filter size, the highly efficient thermal design allows the handling of large currents with high attenuation.
- They are highly effective at preventing both the radiation and penetration of EMC noise. The parts are, therefore, highly immune to externally generated noise and do not, themselves, serve as sources of radiated noise
- For the frequency band set by CISPR, attenuation is shown for both differential mode and common mode noise components.
- Can withstand voltages of AC.1250V between the lines, and AC. 2000V between the line to ground.
- It is a product conforming to RoHS directive.

### APPLICATIONS

Computers, HDDs, electronic exchange devices, NC control devices, inverters for motor, etc.

### SHAPES AND DIMENSIONS



Dimensions in mm

Part No.	A	B	C	D	E	F	øG	H	I	J	K
ZACT2230-ME	120	200	115	260	100	220	M6	5.5	64	66	240

- Case: metal, terminal: stud

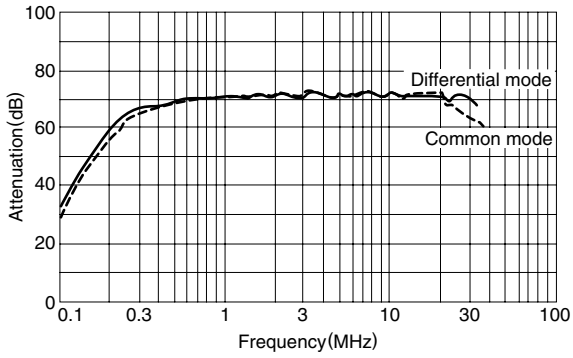
### ELECTRICAL CHARACTERISTICS

Part No.	ZACT2230-ME	
Rated voltage Eac(V)	250	
Rated current(A)	30	
Test voltage Eac(V)[Between terminal and case]	2000	
Insulation resistance(MΩ)	100min.	
[DC. 500V, 1min/between terminal and case]		
Leakage current(mA)[250V • 60Hz]	1max.	
DC resistance(mΩ)	40max.	
Operating temperature range(°C)[Including self-temperature rise]	-25 to +85	
With derating over(°C)	45	
Temperature rise(°C)	35max.	
Attenuation frequency range (MHz)[+5 to +35°C]	Differential mode at 40dB	0.15 to 10
	Common mode at 40dB	0.15 to 10
Weight(kg)	5	

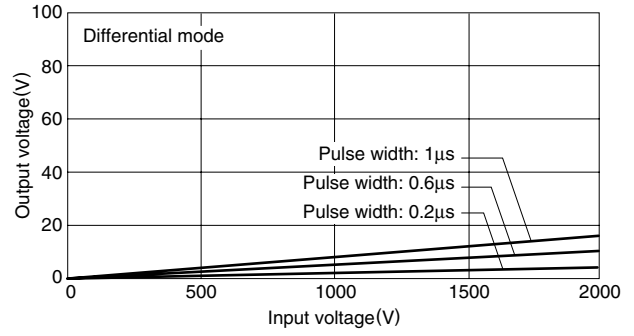
- Conformity to RoHS Directive: This means that, in conformity with EU Directive 2002/95/EC, lead, cadmium, mercury, hexavalent chromium, and specific bromine-based flame retardants, PBB and PBDE, have not been used, except for exempted applications.

- All specifications are subject to change without notice.

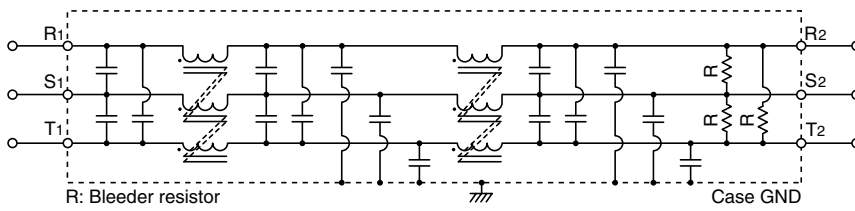
**TYPICAL ELECTRICAL CHARACTERISTICS**  
**ATTENUATION vs. FREQUENCY CHARACTERISTICS**  
**ZACT2230-ME**



**PULSE ATTENUATION CHARACTERISTICS**



**CIRCUIT DIAGRAM**



**CAUTIONS**

- When there is a danger of a high energy pulse voltage (over 2kV for over 1µs), use a surge absorbing element such as a varistor, or arrester on the EMC filter power supply input side.

